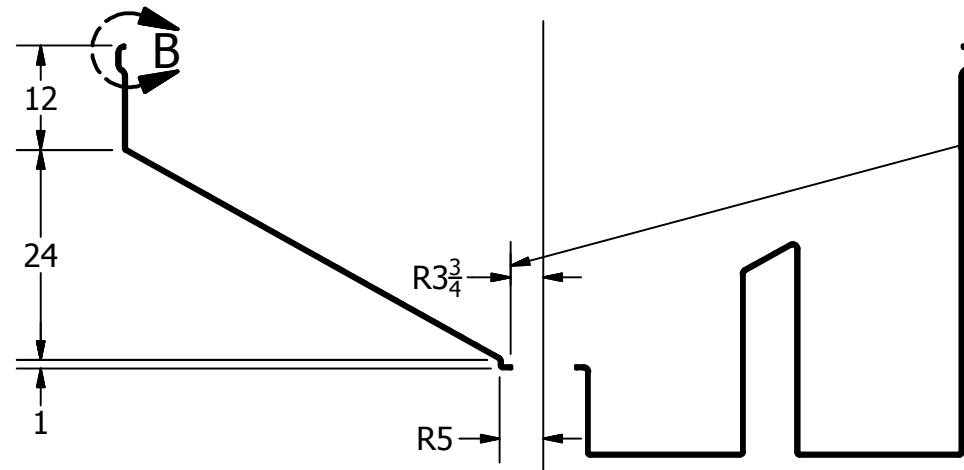
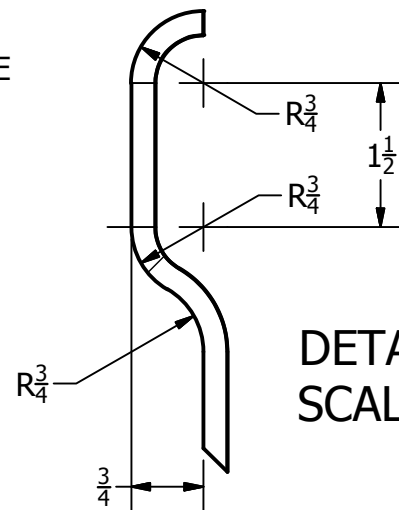
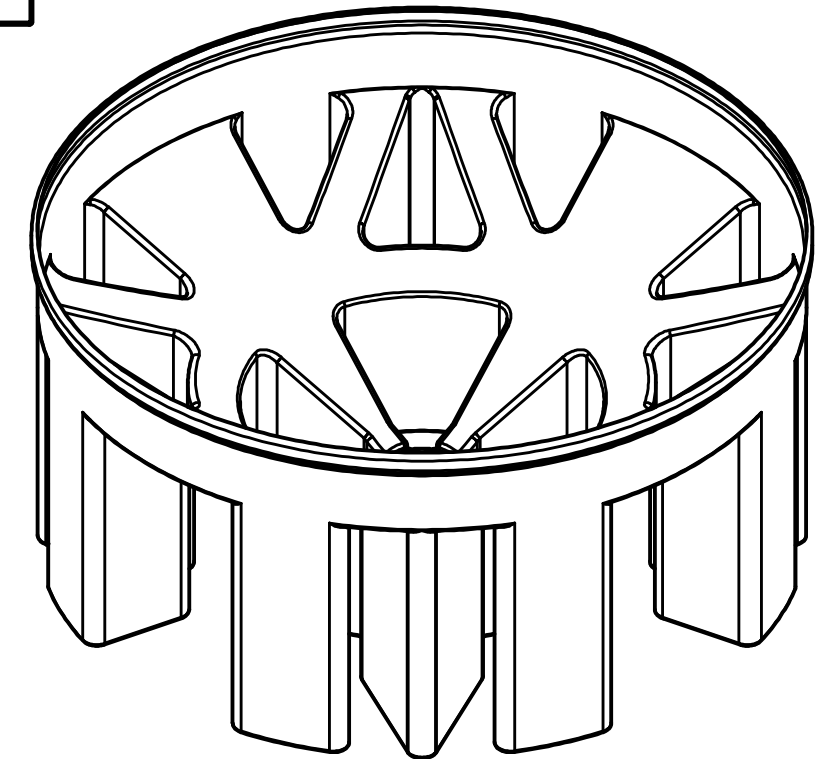


NOTE: 1/2 DEG. TAPER ON ALL LEGS EXCEPT AT OUTSIDE CIRCUMFERENCE

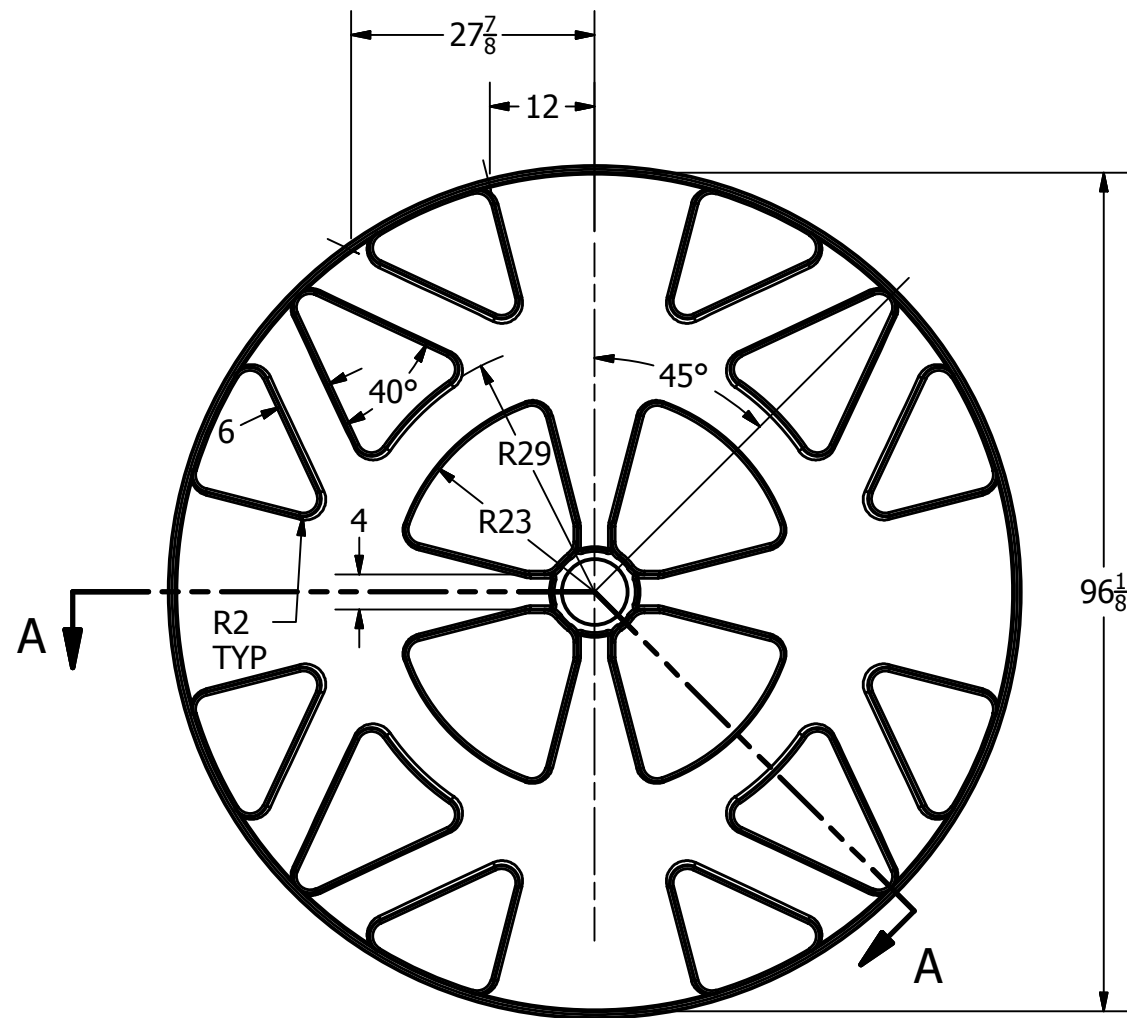



SECTION A-A
SCALE 1:22

NOTE: PROVIDE 1/4" KNIFE EDGE FOR 7 1/2" DIA. CUTOUT



DETAIL B
SCALE 1:2



REVISION HISTORY			
REV	DESCRIPTION	DATE	AUTHOR
A	REVISED & REDRAWN	4/3/1994	
B	REDRAWN	7/24/2013	Michael Holden
DRAWN Jerry Paulson 4/3/1994		 NORWESCO, INC. SAINT BONIFACIUS, MN TITLE 2500/3000 GALLON CONE BOTTOM STAND	
CHECKED			
QA			
MFG			
APPROVED			
SIZE B		DWG NO	REV B
SCALE: 1/16		SHEET 1 OF 1	